

PRO
PROFESSIONAL
LED

"The best is yet to Light"



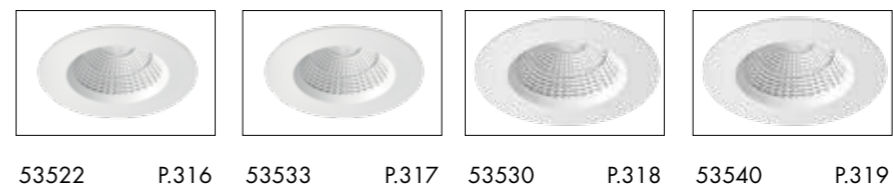
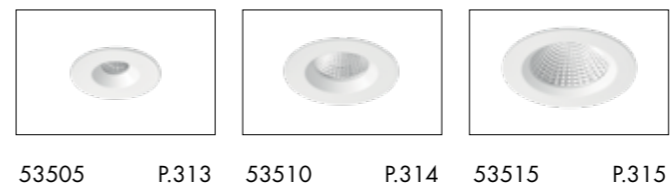
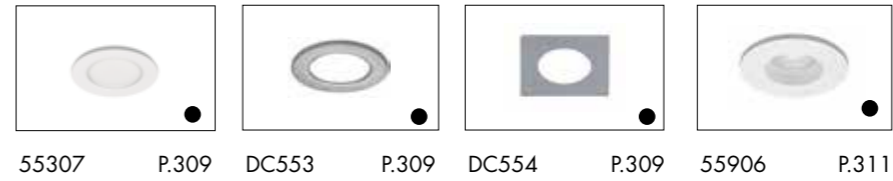
Watertight

JISO
ILUMINACION
SPAIN



Watertight. IP65

Light Integrated LED P.308



Light Without Technology P.322



Available ● Black/Negro/Noir



Dimm Trailing Edge

CCT Switch
2700K-300K-4000K



Plástico ABS
Plastique ABS



RT2012
ACCES. DC553



IP65

Compatible lighting with installations that require UGR<19



55307-90



55307-01



55307-04



55307-11

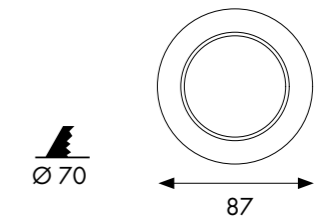
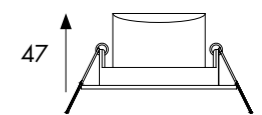


55307-12



55307

Downlight LED Estando
Downlight LED Watertight
Downlight LED Étanche



▼ Accessories not included



Trim to cover hole

- DC55301
- DC55304
- DC55311
- DC55312
- DC55490
- DC55401
- DC55404
- DC55411
- DC55412

Emergency Kit

1EH-3	TCl	1 h
1EH-4	TCl	3 h

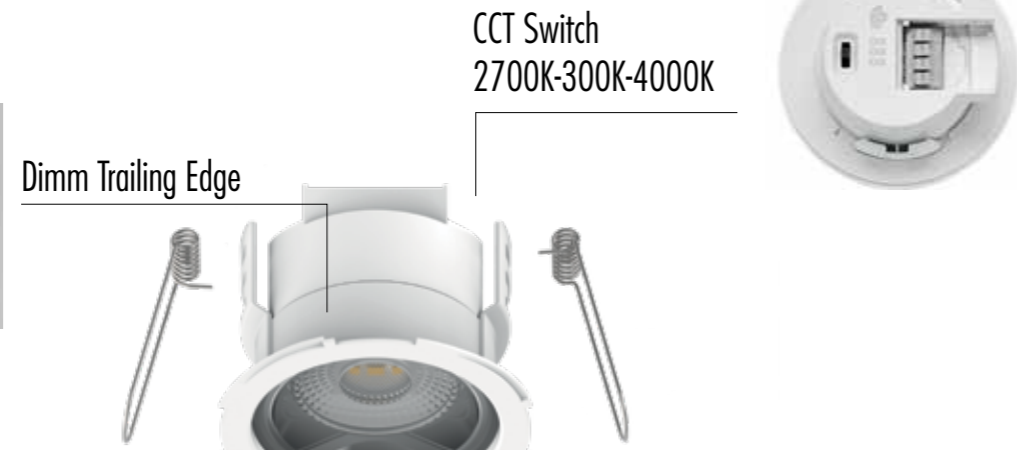
553 07 - 19 8 0 - 90

1 - Model	2 - W	3 - Driver	4 - Brand Chip	5 - K	6 - Color
553	7	<ul style="list-style-type: none"> ▲ 19 - Trailing Edge AC220-240V PF >0,7 Integrated Driver ▲ SMART CONTROL See Page. 414 	8 - Bridgelux	<ul style="list-style-type: none"> 0 - CCT Switch ■ 2700 ■ 522 Lm System ■ 840 Lm Source ■ 3000 ■ 574 Lm System ■ 840 Lm Source ■ 4000 ■ 543 Lm System ■ 840 Lm Source 	<ul style="list-style-type: none"> ● 90 T. White / Blanco T. / Blanc T.

LED CHIP: SMD 2835 - CRI>80 - L70 / 25.000H - 120 lm/W (4000K) - RG1

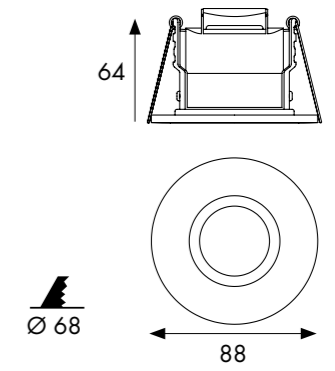


The above information is basic. For updated and more accurate information, please consult Technical Data Sheet on www.jisoiluminacion.com
 Consult general issues - www.jisoiluminacion.com (Download - Technical Information)
 Consult Instructions Emergency kit on www.jisoiluminacion.com
 Consult instructions to Driver configuration - page 470
 Consult instructions to Driver dimmable Trailing Edge, 1-10V, DALI and Push - www.jisoiluminacion.com (Download - Technical Information)
 Consult instructions to Driver dimmable Smart Control - page 414



55906

Downlight LED Estanto
Downlight LED Watertight
Downlight LED Étanche



55906-90

55906-01

55906-12

559 06 - 19 9 0 - 90

1 - Model	2 - W	3 - Driver	4 - Brand Chip	5 - K	6 - Color
559	6	<ul style="list-style-type: none"> 19 - Trailing Edge AC220-240V PF >0,9 Integrated Driver SMART CONTROL See Page. 414 	9 - Everlight	<ul style="list-style-type: none"> 0 - CCT Switch 2700 457 Lm System 675 Lm Source 3000 541 Lm System 702 Lm Source 4000 517 Lm System 729 Lm Source 	<ul style="list-style-type: none"> 90 T. White / Blanco T. / Blanc T.

▼ Accessories not included

Trim		
	DC55906-01	
	DC55906-11	
	DC55906-12	
Emergency Kit		
1EH-3	TCl	1 h
1EH-4	TCl	3 h

LED CHIP: SMD 2835 - CRI>80 - L70 / 30.000H - 135 lm/W (4000K) - RG0

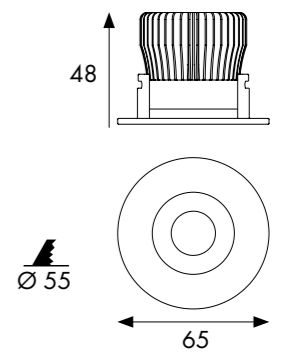


The above information is basic. For updated and more accurate information, please consult Technical Data Sheet on www.jisoiluminacion.com
 Consult general issues - www.jisoiluminacion.com (Download - Technical Information)
 Consult Instructions Emergency kit on www.jisoiluminacion.com
 Consult instructions to Driver configuration - page 470
 Consult instructions to Driver dimmable Trailing Edge, 1-10V, DALI and Push - www.jisoiluminacion.com (Download - Technical Information)
 Consult instructions to Driver dimmable Smart Control - page 414



53505

Downlight LED Estando
Downlight LED Watertight
Downlight LED Étanche



535 05 - 21 5 4 - 90

1 - Model	2 - W	3 - Driver	4 - Brand Chip	5 - K	6 - Color
535	5	21 - ON-OFF AC220-240V PF >0,9	5 - Edison	3 - ■ 3000 501 Lm System 661 Lm Source 4 - ■ 4000 526 Lm System 675 Lm Source	90 T. White / Blanco T. / Blanc T.

LED CHIP: COB - CRI>80 - L70B10 / 50.000H - 135 lm/W (4000K) - RG1

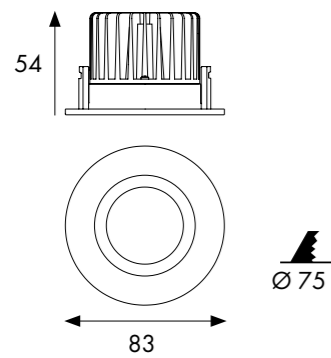


The above information is basic. For updated and more accurate information, please consult Technical Data Sheet on www.jisoiluminacion.com
Consult general issues - www.jisoiluminacion.com (Download - Technical Information)



53510

Downlight LED Estanco
Downlight LED Watertight
Downlight LED Étanche



535 10 - 21 5 4 - 90
1 2 3 4 5 6

1 - Model	2 - W	3 - Driver	4 - Brand Chip	5 - K	6 - Color
535	10	<ul style="list-style-type: none"> 21 - ON-OFF AC220-240V PF >0,9 23 - ON-OFF AC220-240V PF >0,95 37 - 1-10V AC200-240V PF >0,95 51 - Trailing Edge AC220-240V PF >0,95 D7 - DALI/PUSH AC200-240V PF >0,95 SMART CONTROL See Page. 414 	5 - Edison	<ul style="list-style-type: none"> 3 - ■ 3000 755 Lm System 1353 Lm Source 4 - ■ 4000 793 Lm System 1380 Lm Source 	90 T. White / Blanco T. / Blanc T.

▼ Accessories not included

Emergency Kit		
2DCLEDK1	TCl	1 h
2DCLEDK2	TCl	3 h

LED CHIP: COB - CRI>80 - L70B10 / 50.000H - 138 lm/W (4000K) - RG1

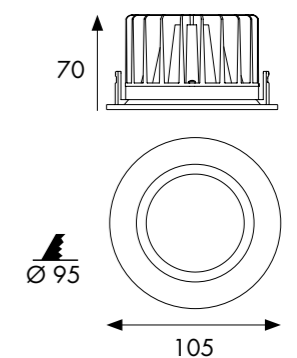


The above information is basic. For updated and more accurate information, please consult Technical Data Sheet on www.jisoiluminacion.com
 Consult general issues - www.jisoiluminacion.com (Download - Technical Information)
 Consult Instructions Emergency kit on www.jisoiluminacion.com
 Consult instructions to Driver configuration - page 470
 Consult instructions to Driver dimmable Trailing Edge, 1-10V, DALI and Push - www.jisoiluminacion.com (Download - Technical Information)
 Consult instructions to Driver dimmable Smart Control - page 414



53515

Downlight LED Estanco
Downlight LED Watertight
Downlight LED Étanche



535 15 - 21 5 4 - 90
1 2 3 4 5 6

1 - Model	2 - W	3 - Driver	4 - Brand Chip	5 - K	6 - Color
535	15	<ul style="list-style-type: none"> 21 - ON-OFF AC220-240V PF >0,9 23 - ON-OFF AC220-240V PF >0,95 47 - DALI/PUSH/1-10V AC200-240V PF >0,95 51 - Trailing Edge AC220-240V PF >0,9 SMART CONTROL See Page. 414 	5 - Edison	<ul style="list-style-type: none"> 3 - ■ 3000 1261 Lm System 1719 Lm Source 4 - ■ 4000 1323 Lm System 1753 Lm Source 	90 T. White / Blanco T. / Blanc T.

▼ Accessories not included

Emergency Kit	
2DCLEDK1	1 h
2DCLEDK2	3 h
2DCLEDK5	3 h
2DCLEDK29	3 h

LED CHIP: COB - CRI>80 - L70B10 / 50.000H - 117 lm/W (4000K) - RG1

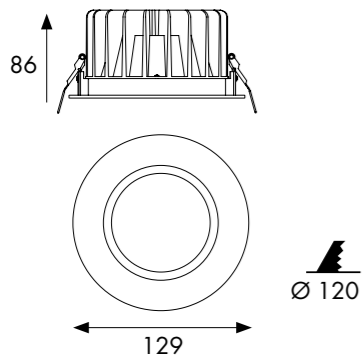


The above information is basic. For updated and more accurate information, please consult Technical Data Sheet on www.jisoiluminacion.com
 Consult general issues - www.jisoiluminacion.com (Download - Technical Information)
 Consult Instructions Emergency kit on www.jisoiluminacion.com
 Consult instructions to Driver configuration - page 470
 Consult instructions to Driver dimmable Trailing Edge, 1-10V, DALI and Push - www.jisoiluminacion.com (Download - Technical Information)
 Consult instructions to Driver dimmable Smart Control - page 414



53522

Downlight LED Estando
Downlight LED Watertight
Downlight LED Étanche



535 22 - 21 5 4 - 90
1 2 3 4 5 6

1 - Model	2 - W	3 - Driver	4 - Brand Chip	5 - K	6 - Color
535	22	<ul style="list-style-type: none"> 21 - ON-OFF AC220-240V PF >0,95 23 - ON-OFF AC220-240V PF >0,95 47 - DALI/PUSH/1-10V AC200-240V PF >0,95 51 - Trailing Edge AC220-240V PF >0,9 SMART CONTROL See Page. 414 	5 - Edison	<ul style="list-style-type: none"> 3 - 3000 2143 Lm System 2544 Lm Source 4 - 4000 2250 Lm System 2600 Lm Source 	90 T. White / Blanco T. / Blanc T.

▼ Accessories not included

Emergency Kit	
2DCLEDK1	1 h
2DCLEDK2	3 h
2DCLEDK5	3 h
2DCLEDK29	3 h

LED CHIP: COB - CRI>80 - L70B10 / 50.000H - 118 lm/W (4000K) - RG0

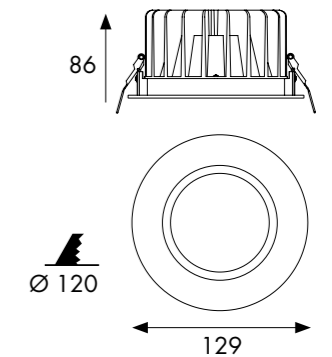


The above information is basic. For updated and more accurate information, please consult Technical Data Sheet on www.jisoiluminacion.com
 Consult general issues - www.jisoiluminacion.com (Download - Technical Information)
 Consult Instructions Emergency kit on www.jisoiluminacion.com
 Consult instructions to Driver configuration - page 470
 Consult instructions to Driver dimmable Trailing Edge, 1-10V, DALI and Push - www.jisoiluminacion.com (Download - Technical Information)
 Consult instructions to Driver dimmable Smart Control - page 414



53533

Downlight LED Estando
Downlight LED Watertight
Downlight LED Étanche



535 33 - 21 5 4 - 90
1 2 3 4 5 6

1 - Model	2 - W	3 - Driver	4 - Brand Chip	5 - K	6 - Color
535	30	<ul style="list-style-type: none"> 21 - ON-OFF AC220-240V PF >0,9 23 - ON-OFF AC220-240V PF >0,95 47 - DALI/PUSH/1-10V AC200-240V PF >0,95 51 - Trailing Edge AC220-240V PF >0,9 SMART CONTROL See Page. 414 	5 - Edison	<ul style="list-style-type: none"> 3 - 3000 3000 Lm System 3562 Lm Source 4 - 4000 3150 Lm System 3640 Lm Source 	90 T. White / Blanco T. / Blanc T.

▼ Accessories not included

Emergency Kit	
2DCLEDK1	1 h
2DCLEDK2	3 h
2DCLEDK5	3 h
2DCLEDK29	3 h

LED CHIP: COB - CRI>80 - L70B10 / 50.000H - 121 lm/W (4000K) - RG0

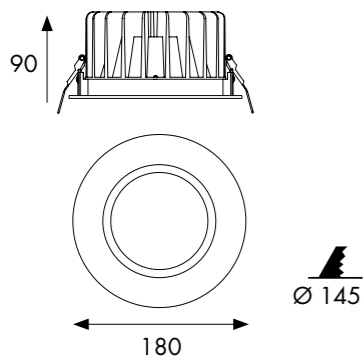


The above information is basic. For updated and more accurate information, please consult Technical Data Sheet on www.jisoiluminacion.com
 Consult general issues - www.jisoiluminacion.com (Download - Technical Information)
 Consult Instructions Emergency kit on www.jisoiluminacion.com
 Consult instructions to Driver configuration - page 470
 Consult instructions to Driver dimmable Trailing Edge, 1-10V, DALI and Push - www.jisoiluminacion.com (Download - Technical Information)
 Consult instructions to Driver dimmable Smart Control - page 414



53530

Downlight LED Estando
Downlight LED Watertight
Downlight LED Étanche



535 30 - 21 5 4 - 90
1 2 3 4 5 6

1 - Model	2 - W	3 - Driver	4 - Brand Chip	5 - K	6 - Color
535	30	<ul style="list-style-type: none"> 21 - ON-OFF AC220-240V PF >0,9 23 - ON-OFF AC220-240V PF >0,95 47 - DALI/PUSH/ 1-10V AC200-240V PF >0,95 51 - Trailing Edge AC220-240V PF >0,9 SMART CONTROL See Page. 414 	5 - Edison	4 - 4000 3007 Lm System 3640 Lm Source	90 T. White / Blanco T. / Blanc T.

▼ Accessories not included

Emergency Kit	
2DCLEDK1	1 h
2DCLEDK2	3 h
2DCLEDK5	3 h
2DCLEDK29	3 h

LED CHIP: COB - CRI>80 - L70B10 / 50.000H - 134 lm/W (4000K) - RG0

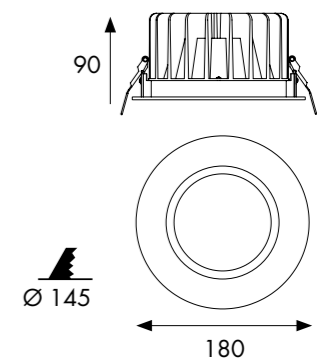


The above information is basic. For updated and more accurate information, please consult Technical Data Sheet on www.jisoiluminacion.com
Consult general issues - www.jisoiluminacion.com (Download - Technical Information)
Consult Instructions Emergency kit on www.jisoiluminacion.com
Consult instructions to Driver configuration - page 470
Consult instructions to Driver dimmable Trailing Edge, 1-10V, DALI and Push - www.jisoiluminacion.com (Download - Technical Information)
Consult instructions to Driver dimmable Smart Control - page 414



53540

Downlight LED Estando
Downlight LED Watertight
Downlight LED Étanche



535 40 - 21 5 4 - 90
1 2 3 4 5 6

1 - Model	2 - W	3 - Driver	4 - Brand Chip	5 - K	6 - Color
535	40	<ul style="list-style-type: none"> 21 - ON-OFF AC220-240V PF >0,9 23 - ON-OFF AC220-240V PF >0,95 37 - 1-10V AC200-240V PF >0,95 51 - Trailing Edge AC220-240V PF >0,9 D7 - DALI/PUSH AC200-240V PF >0,95 SMART CONTROL See Page. 414 	5 - Edison	4 - 4000 4007 Lm System 5744 Lm Source	90 T. White / Blanco T. / Blanc T.

▼ Accessories not included

Emergency Kit	
2DCLEDK1	1 h
2DCLEDK2	3 h
2DCLEDK5	3 h
2DCLEDK29	3 h

LED CHIP: COB - CRI>80 - L70B10 / 50.000H - 144 lm/W (4000K) - RG0

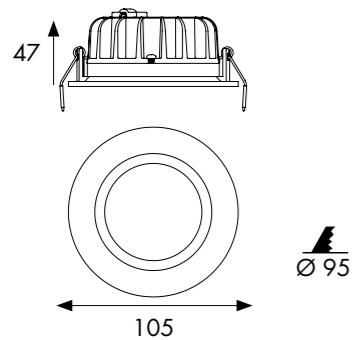


The above information is basic. For updated and more accurate information, please consult Technical Data Sheet on www.jisoiluminacion.com
Consult general issues - www.jisoiluminacion.com (Download - Technical Information)
Consult Instructions Emergency kit on www.jisoiluminacion.com
Consult instructions to Driver configuration - page 470
Consult instructions to Driver dimmable Trailing Edge, 1-10V, DALI and Push - www.jisoiluminacion.com (Download - Technical Information)
Consult instructions to Driver dimmable Smart Control - page 414



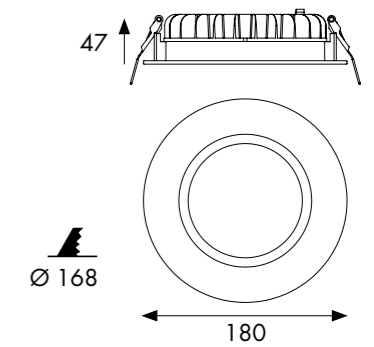
53710

Downlight LED Estando
Downlight LED Watertight
Downlight LED Étanche



53724

Downlight LED Estando
Downlight LED Watertight
Downlight LED Étanche



537 10 - 21 8 4 - 90
1 2 3 4 5 6

1 - Model	2 - W	3 - Driver	4 - Brand Chip	5 - K	6 - Color
537	10	<ul style="list-style-type: none"> 21 - ON-OFF AC220-240V PF >0,9 23 - ON-OFF AC220-240V PF >0,9 37 - 1-10V AC200-240V PF >0,95 51 - Trailing Edge AC220-240V PF >0,95 D7 - DALI/PUSH AC200-240V PF >0,95 SMART CONTROL See Page. 414 	8 - Sanan	<ul style="list-style-type: none"> 3 - 3000 873 Lm System 1080 Lm Source 4 - 4000 922 Lm System 1080 Lm Source 	90 T. White / Blanco T. / Blanc T.

▼ Accessories not included

Emergency Kit	
2DCLEDK1	1 h
2DCLEDK2	3 h
2DCLEDK5	3 h
2DCLEDK29	3 h

LED CHIP: SMD 2835 - CRI>80 - L70B10/50.000H - 120 lm/W (4000K) - RG1



The above information is basic. For updated and more accurate information, please consult Technical Data Sheet on www.jisoiluminacion.com
 Consult general issues - www.jisoiluminacion.com (Download - Technical Information)
 Consult Instructions Emergency kit on www.jisoiluminacion.com
 Consult instructions to Driver configuration - page 470
 Consult instructions to Driver dimmable Trailing Edge, 1-10V, DALI and Push - www.jisoiluminacion.com (Download - Technical Information)
 Consult instructions to Driver dimmable Smart Control - page 414

537 24 - 21 8 4 - 90
1 2 3 4 5 6

1 - Model	2 - W	3 - Driver	4 - Brand Chip	5 - K	6 - Color
537	24	<ul style="list-style-type: none"> 21 - ON-OFF AC220-240V PF >0,9 23 - ON-OFF AC220-240V PF >0,95 47 - DALI/PUSH AC200-240V PF >0,95 51 - Trailing Edge AC220-240V PF >0,9 SMART CONTROL See Page. 414 	8 - Sanan	<ul style="list-style-type: none"> 3 - 3000 2201 Lm System 2916 Lm Source 4 - 4000 2217 Lm System 2916 Lm Source 	90 T. White / Blanco T. / Blanc T.

▼ Accessories not included

Emergency Kit	
2DCLEDK1	1 h
2DCLEDK2	3 h
2DCLEDK5	3 h
2DCLEDK29	3 h

LED CHIP: SMD 2835 - CRI>80 - L70B10 / 50.000H - 120 lm/W (4000K) - RG1

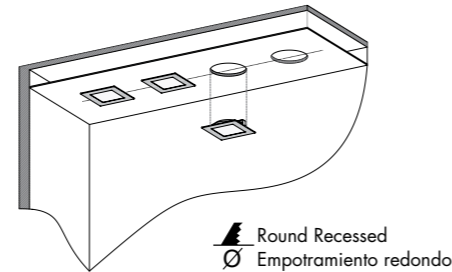
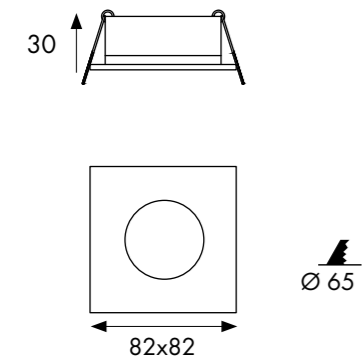


The above information is basic. For updated and more accurate information, please consult Technical Data Sheet on www.jisoiluminacion.com
 Consult general issues - www.jisoiluminacion.com (Download - Technical Information)
 Consult Instructions Emergency kit on www.jisoiluminacion.com
 Consult instructions to Driver configuration - page 470
 Consult instructions to Driver dimmable Trailing Edge, 1-10V, DALI and Push - www.jisoiluminacion.com (Download - Technical Information)
 Consult instructions to Driver dimmable Smart Control - page 414



106D

Empotrable Estanco
Recessed Watertight Spotlight
Encastré Étanche



106D - 90

1 - Model	2 - Color
106D	05 Inox
	90 Tec. White / Blanco Téc. / Blanc Tech.

▼ Optional

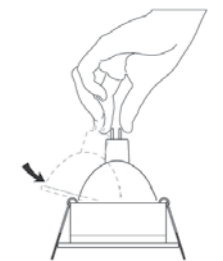
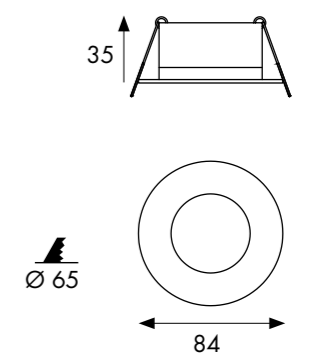
LED Module COB (page 388-389)	LED Module SMD (page 387)	Lampholder (page 390)
HLX08 2700K 828Lm	HLP06-1990 CCT Switch	1PHG GU-10 100-240V
HLX08 3000K 849Lm	3000K 432Lm	1PHB GU-10/GZ-10 100-240V
HLX08 4000K 891Lm	4000K 467Lm	1DH1 Fast Safety connector
HLX12 2700K 1207Lm	Bulb LED GU-10 (page 386)	1DH3 GU-10 Safety distancing
HLX12 3000K 1238Lm		1LHG-300 CCT Switch
HLX12 4000K 1300Lm	3000K 452Lm	
HLHLX-01 Honeycomb Acc.	4000K 478Lm	



The above information is basic. For updated and more accurate information, please consult Technical Data Sheet on www.jisoiluminacion.com

107D

Empotrable Estanco
Recessed Watertight Spotlight
Encastré Étanche



107D - 90

1 - Model	2 - Color
107D	05 Inox
	90 Tec. White / Blanco Téc. / Blanc Tech.

▼ Optional

LED Module COB (page 388-389)	LED Module SMD (page 387)	Lampholder (page 390)
HLX08 2700K 828Lm	HLP06-1990 CCT Switch	1PHG GU-10 100-240V
HLX08 3000K 849Lm	3000K 432Lm	1PHB GU-10/GZ-10 100-240V
HLX08 4000K 891Lm	4000K 467Lm	1DH1 Fast Safety connector
HLX12 2700K 1207Lm	Bulb LED GU-10 (page 386)	1DH3 GU-10 Safety distancing
HLX12 3000K 1238Lm		1LHG-300 CCT Switch
HLX12 4000K 1300Lm	3000K 452Lm	
HLHLX-01 Honeycomb Acc.	4000K 478Lm	



The above information is basic. For updated and more accurate information, please consult Technical Data Sheet on www.jisoiluminacion.com

